

DANODREN H15 PLUS

Danodren H15 Plus is a nodular sheet composed of high density polyethylene (HDPE) and joined to a non-woven geotextile of calendered polypropylene of 115 g/m². Nodule height is 7,3 ± 0,2 mm. It is specially designed as drainage layer and for protection of underground walls and slabs in contact with the ground.



CE MARKING



Identification number of the Certification Body: 0099

DERIVADOS ASFALTICOS NORMALIZADOS S.A.
Calle La Granja 3 (28108 - Alcobendas, MADRID)

Year in which the CE marking was affixed: 2008
Certificate number CPF: 0099 / CPD / A42 / 0053
European standard EN 13252

Produced at: Polígono Industrial Sector 9 (19290 - FONTANAR, Guadalajara)

The product fulfils the requirements established on the above mentioned norms, for the following applications: "F+S+R+D"
F= Filtration S=Separation R=Resistance D=Drainage

TECHNICAL DATA

TECHNICAL DATA	VALUE	UNIT	STANDARD
Longitudinal tensile strength	15.0, -2.0	KN/m	UNE-EN ISO 10319
Longitudinal tensile strength	14.0, -2.0	KN/m	UNE-EN ISO 10319
Longitudinal elongation at break	100, ± 20	%	UNE-EN ISO 10319
Transverse elongation at break	70, ± 20	%	UNE-EN ISO 10319
Puncture resistance (CBR)	2.5, -0.5	KN	UNE-EN ISO 12236
Dynamic Drilling	16, + 3	mm	UNE EN 918
Opening Measurement	160, ± 30	µm	UNE-EN ISO 12956
Water permeability	0.0614, -0.00921	m/s	UNE-EN ISO 11058
Capacity of water flow in the plane	1.5 Exp-6, -0.5 Exp-6	m ² /s	UNE EN ISO 12958

ADDITIONAL TECHNICAL DATA

ADDITIONAL DATA	VALUE	UNIT	STANDARD
Nº Nodule/m ²	1907	-	-
Compressive strength	180 ± 20%	KN/m ²	UNE-EN ISO 604
Module of elasticity	1500	N/mm ²	ISO 178
Water Absorption	1	mg/4d	DIN 53495
Temperature Range	-30 - 80	°C	-
Nodule volume of air	5.9	l/m ²	-

DRAINAGE CAPACITY IN THE PLANE OF THE GEOCOMPOSITE (UNE EN ISO 12958)

Drainage capacity (i=0,1)	l/m.s	m ² /s
Compression a 20 Kpa	0.54142	0.00054
Comrpesión a 100 Kpa	0.43995	0.00044
Compresión a 200 Kpa	0.21563	0.00022

Drainage capacity (i=1)	l/m.s	m ² /s
Compression a 20 Kpa	2.10042	0.00210
Comrpesión a 100 Kpa	1.58286	0.00158
Compresión a 200 Kpa	0.21563	0.00022

DECLARATION OF CONFORMITY



DERIVADOS ASFÁLTICOS NORMALIZADOS S.A.
Calle La Granja 3 (28108 - Alcobendas, MADRID)

The product fulfils the requirements established on the above mentioned norms, for the following applications: "F+S+R+D"
F=Filtration S=Separation R=Resistance D=Drainage

This product is according to the Z.A. Annex of the UNE-EN 13252

Certificate number CPF: 0099 / CPD / A42 / 0053

José Antonio Manzarbeitia Valle
Manager Quality and R&D Manager.
Fontanar, March 01st 2009

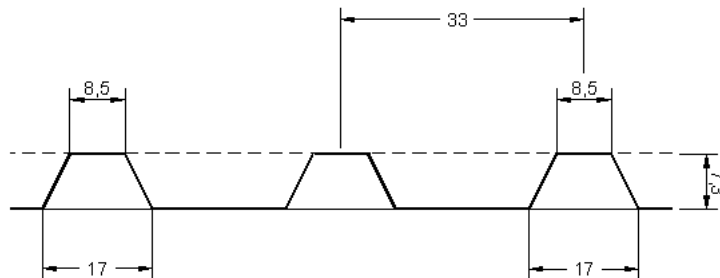
STANDARDS AND CERTIFICATION

Certificado de conformidad CE de geotextiles y productos relacionados. Cumple con los requisitos del Código Técnico de la Edificación (C.T.E.).

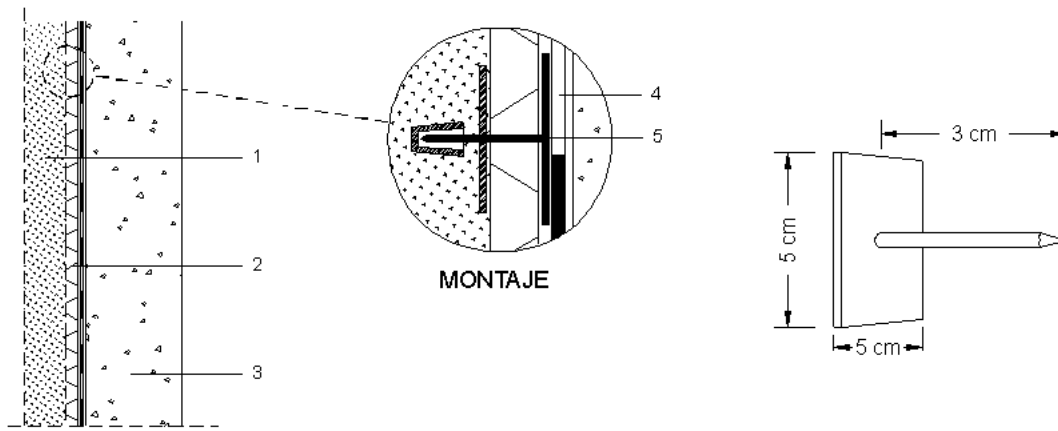
PRESENTATION

PRESENTATION	VALUE	UNIT
Length	20±0.02	m
Width	2.10±0.01	m
Nodule height	7,3 ± 0,2	mm
Roll surface	42	m ²
Rolls per pallet	6	rolls
Product Code	314061	-

ADVANTAGES AND BENEFITS



INSTRUCTION FOR USE



WARNING

The information that appears in the following document makes reference to the uses and utilities of danosa's products and systems, and it is based on the knowledge that have been learnt until present, by Danosa. This is only possible if products have been stored and used in an appropriate way.

Nevertheless, Danosa is not responsible for unsuitable uses of the products neither any other facts, such as meteorological facts. So Danosa is just responsible for the quality related to the provided products.

Danosa reserves the right to carry out modifications without previous notice.

The values that appear in the technical sheet are the results of the tests that have been performed in our laboratory. March 2007.

Web site: www.danosa.com E-mail: export@danosa.com Phone number: +34 949 888 210