





## INSTALLATION

### Inverted roofs

- A suitable separation layer like DANOFELT® PY 150 shall be installed between the DANOPREN® TR boards and the waterproofing membrane if it's a PVC membrane the separation layer should be like DANOFELT® PY 300.
- DANOPREN® TR boards shall be installed loose-laid, with staggered joints between successive rows and with all their joints tight.
- When close to every detailing, the boards will form the joint with at least a 5 mm tolerance.
- Depending upon the specification, a suitable separation layer like DANOFELT® PY 300 shall or alternatively our DANOFLOW® Water Flow Reducing Layer should be installed between the boards and the ballast (gravel or paving).
- It shall be avoided any ballast that may form a tight vapor diffusion layer on top of the boards.

### Residential and commercial floors

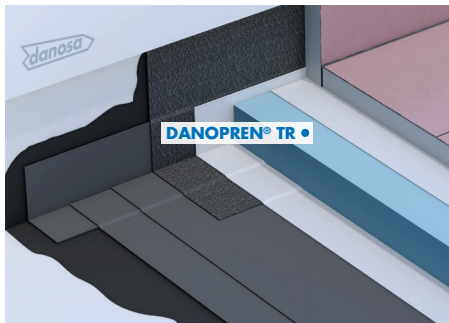
- The structural deck must show proper leveling and flatness
- DANOPREN® TR boards must be installed loose-laid, with tight and staggered joints between successive rows.

- In the case of slab insulation, DANOPREN® TR boards may be placed directly onto the ground, once the soil is properly compacted. If a plastic film is installed as a watertight barrier, it is recommended to place it above the DANOPREN® TR boards.
- A screed of at least 40 mm thickness will be installed, as a bed layer for the pavement, above the DANOPREN® TR boards. For light or adhered flooring finishings, a minimum 30 mm screed is recommended, reinforced at least with a 220 g/m<sup>2</sup> mesh.
- In case of heating floor systems the boards must be placed below the heating system.

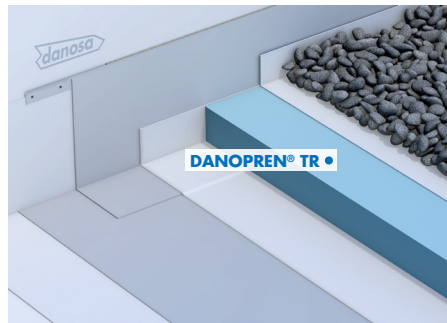
## STORAGE AND PRESERVATION

- Do not expose to temperatures exceeding 75 °C.
- They must be protected from direct sunlight during storage for long periods of time.
- They can be stored outdoors, unaffected by rain, snow or ice.

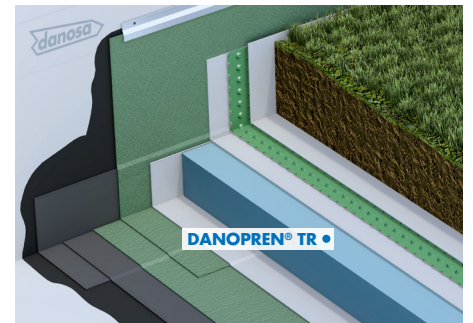
## COMPATIBLE SOLUTIONS



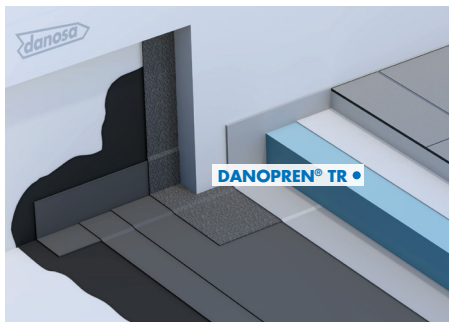
Built-Up Felt flat roof system



Not passable inverted flat roof



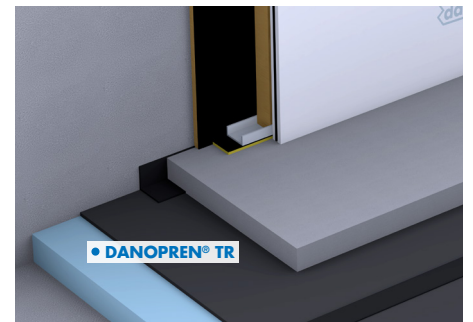
Intensive landscaped flat roof



Technical acoustic flat roof



Buried walls



Thermoacoustic basic floating floor

More information:

Further to our policy of continuous improvement, DANOSA the data contained within this document

reserves the right to update without notice,

